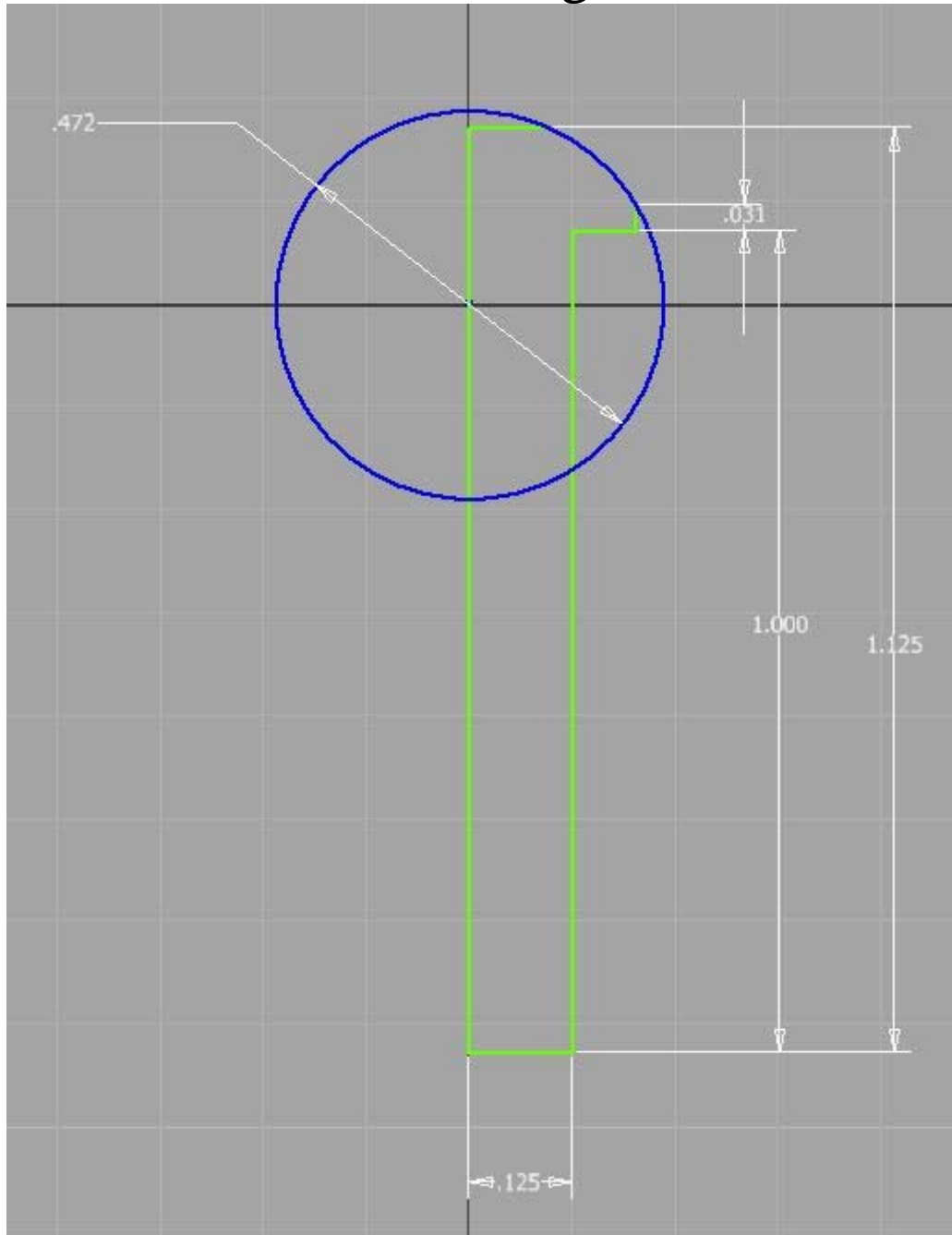
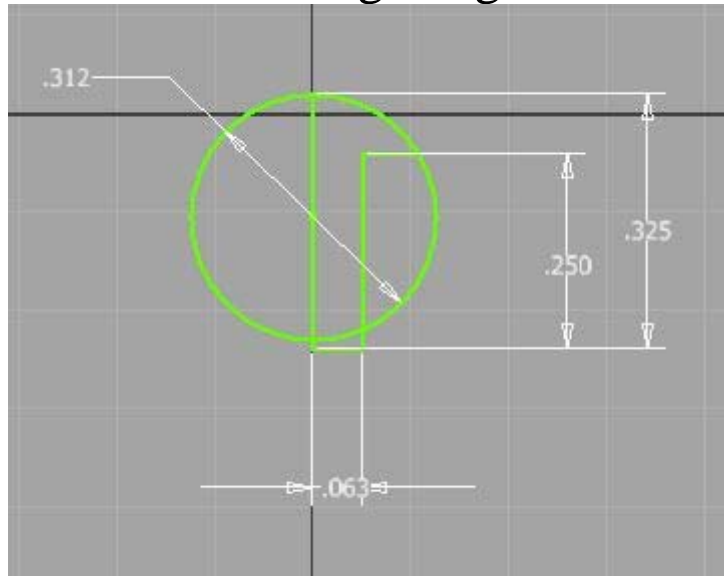


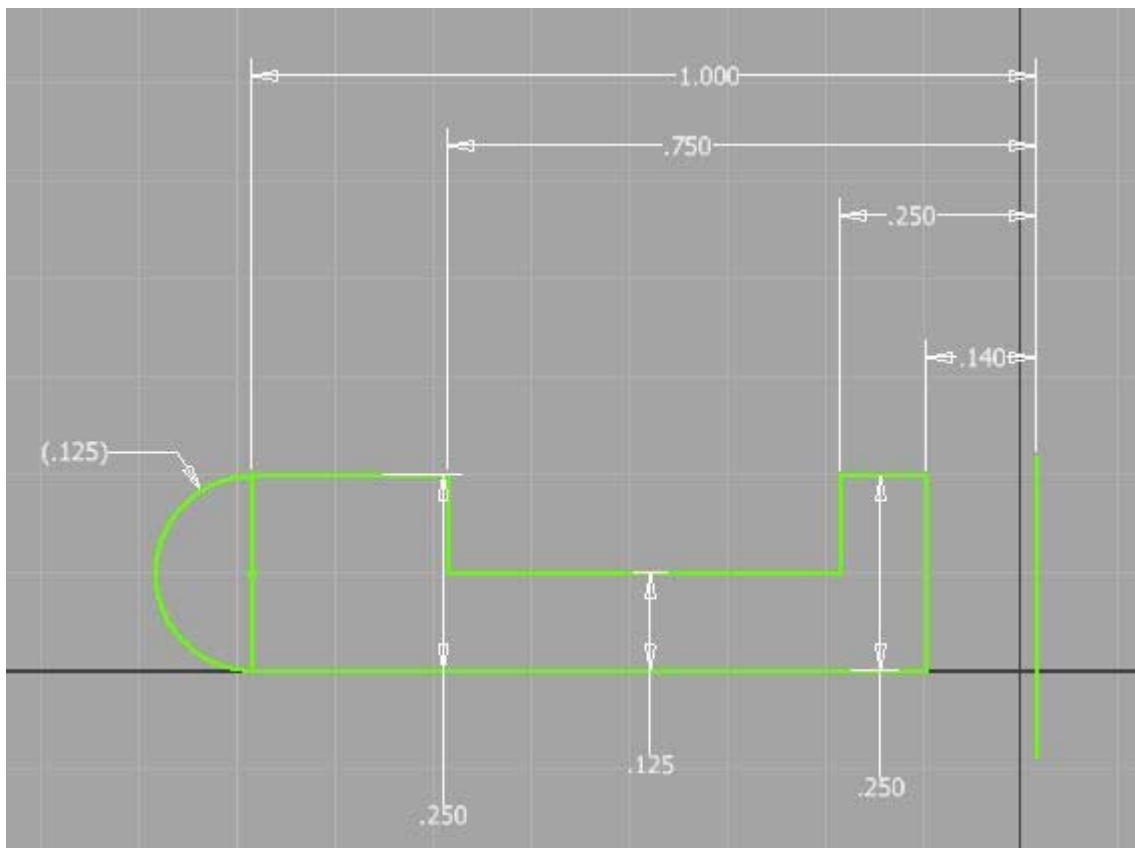
# Axle Peg



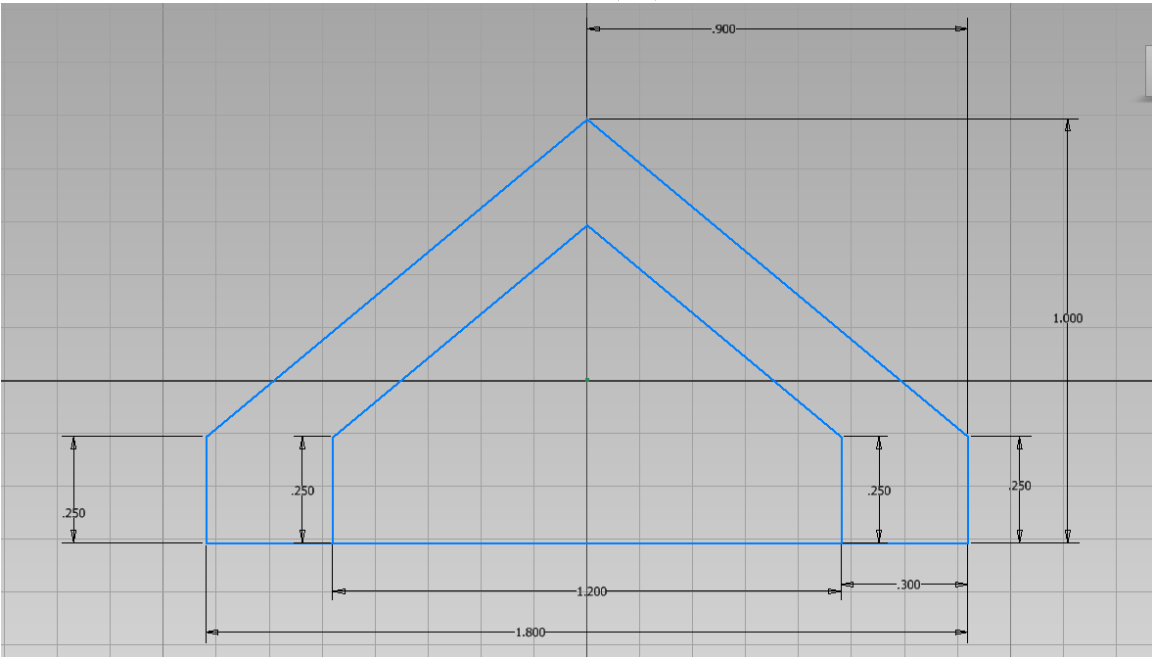
# Linkage Peg



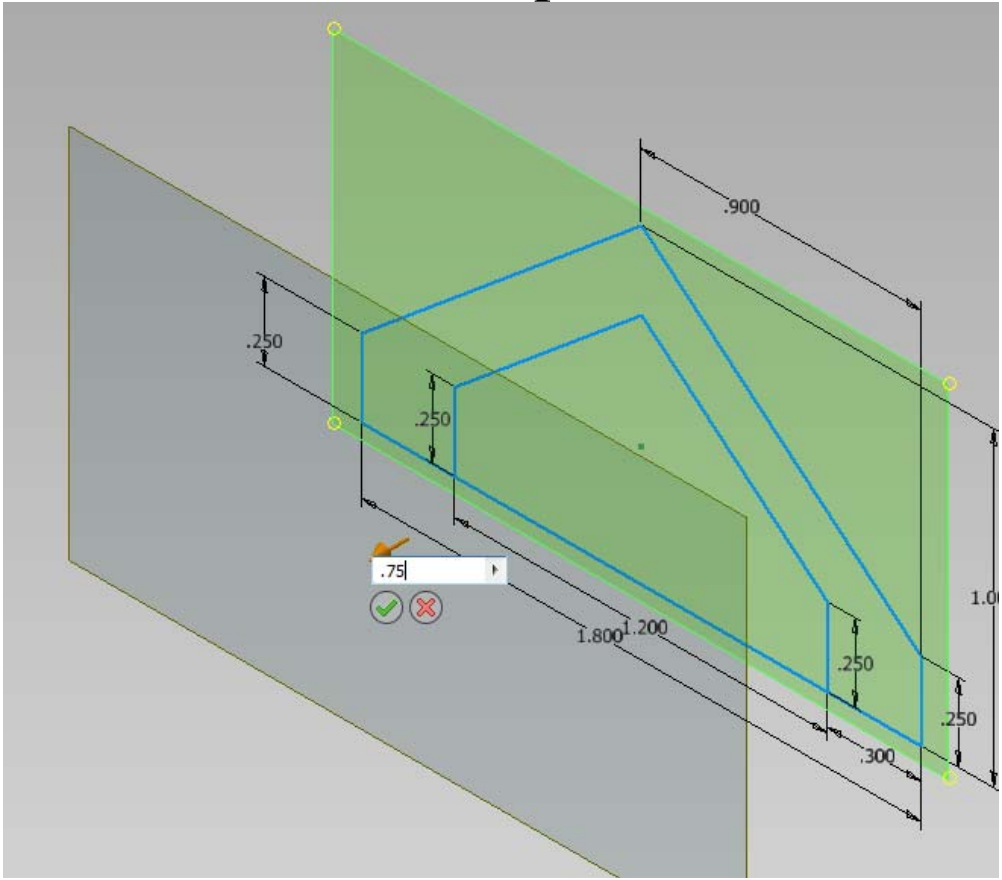
# Wheel



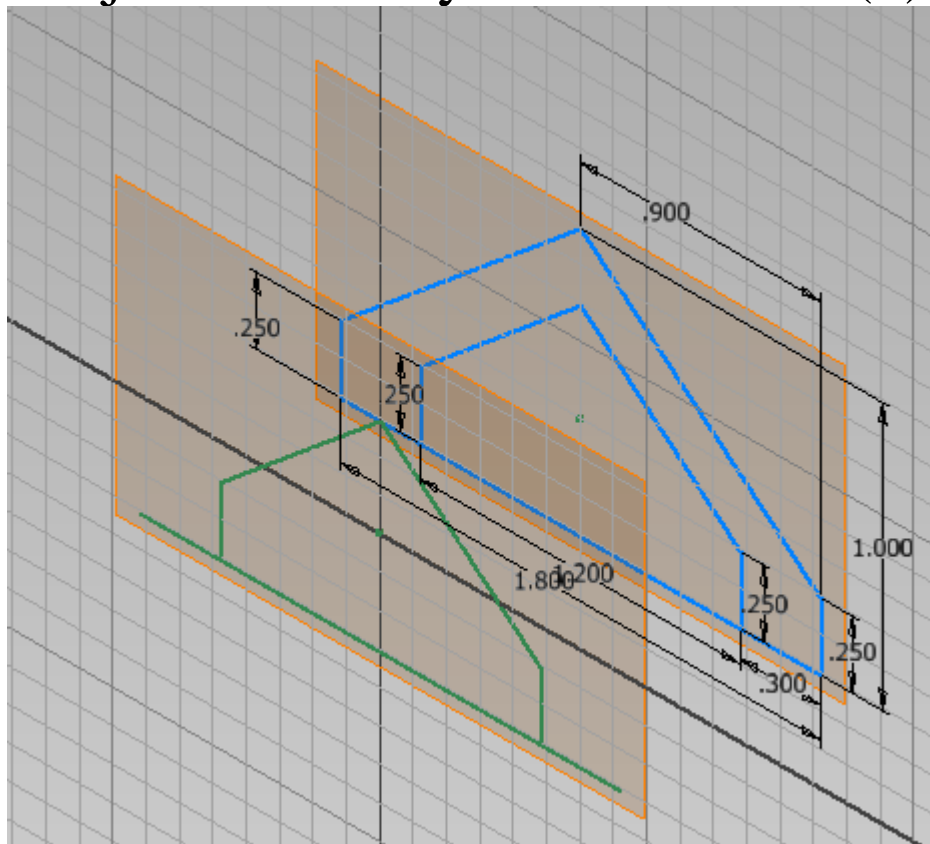
# Cow Catcher Base(1)



## New work plane(2)



# Project Geometry on new sketch(3)



## Loft(4)

