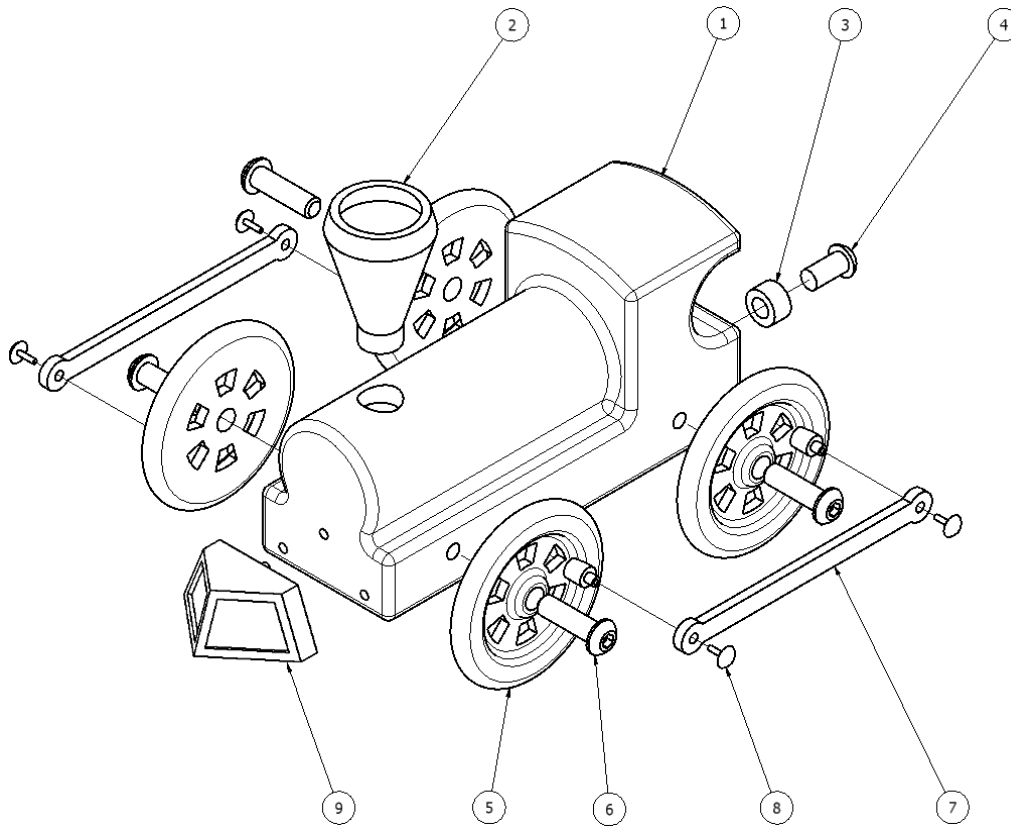


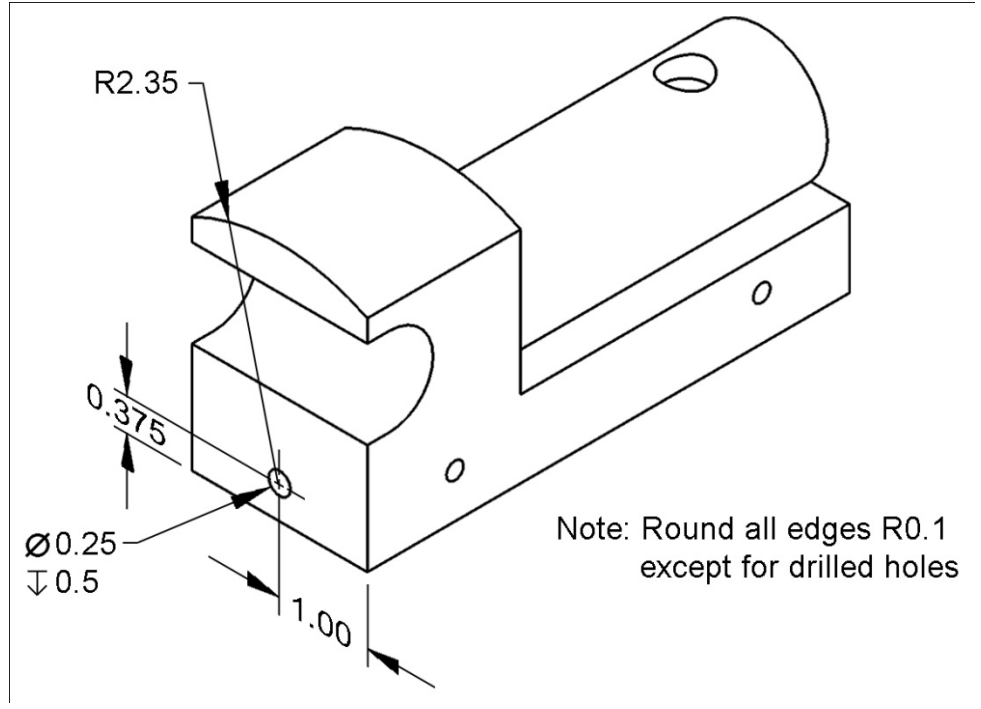
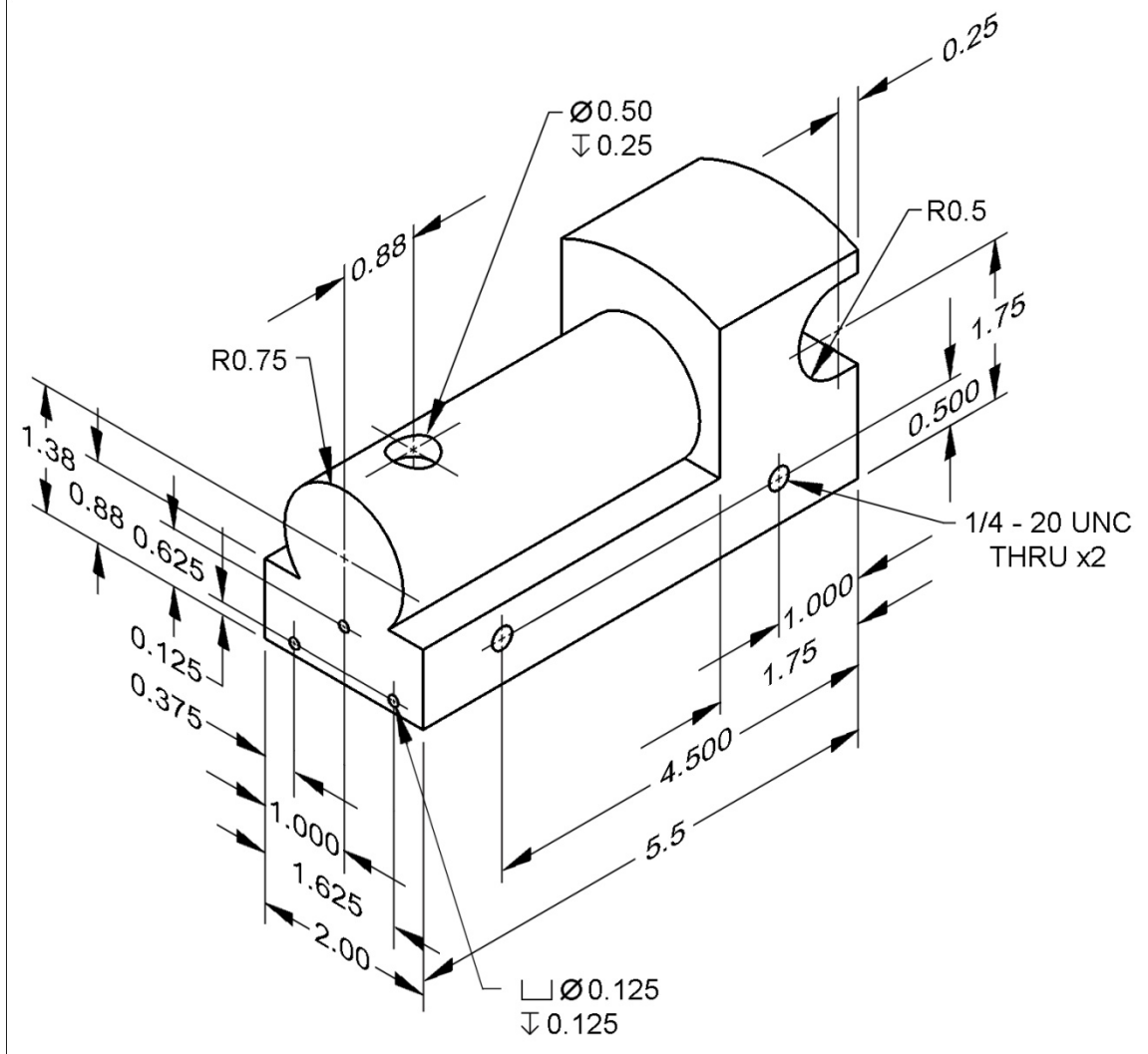
---

# Project 2.3.1a – Miniature Train

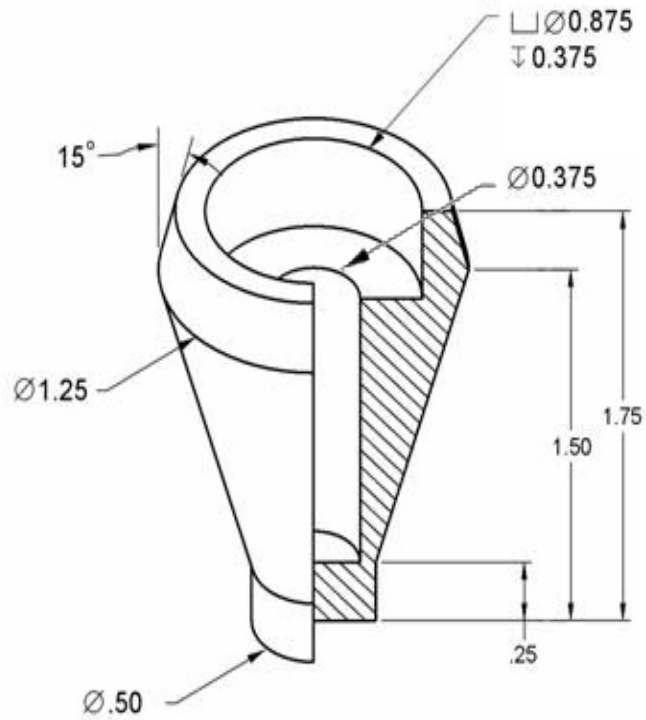
---



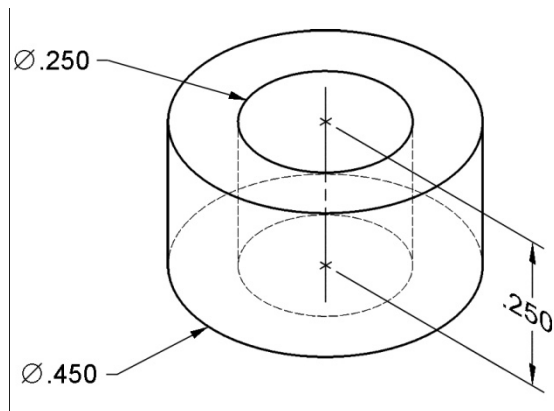
**Part #1: Train Body**



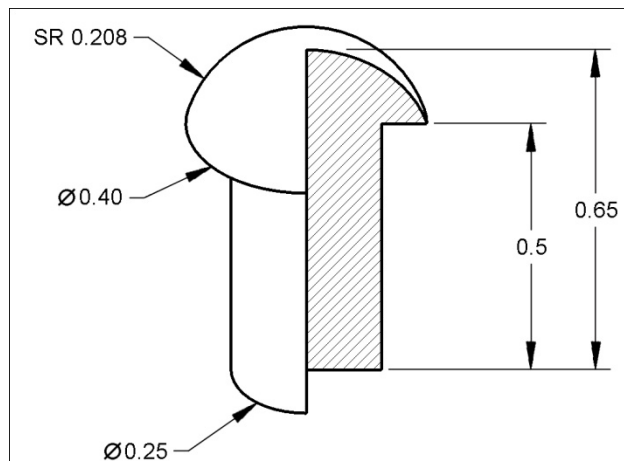
**Part #2: Stack**



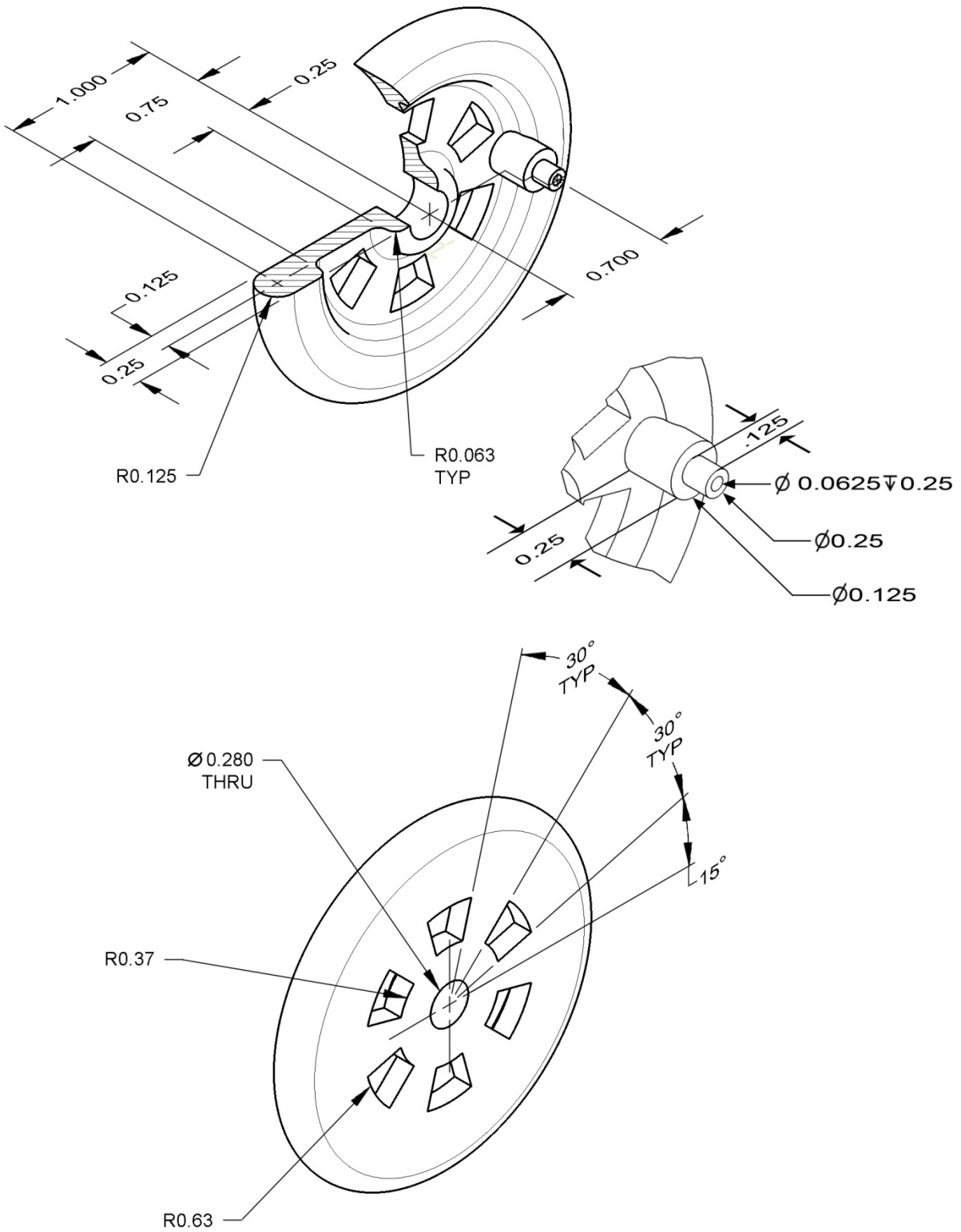
**Part #3: Hitch Magnet**



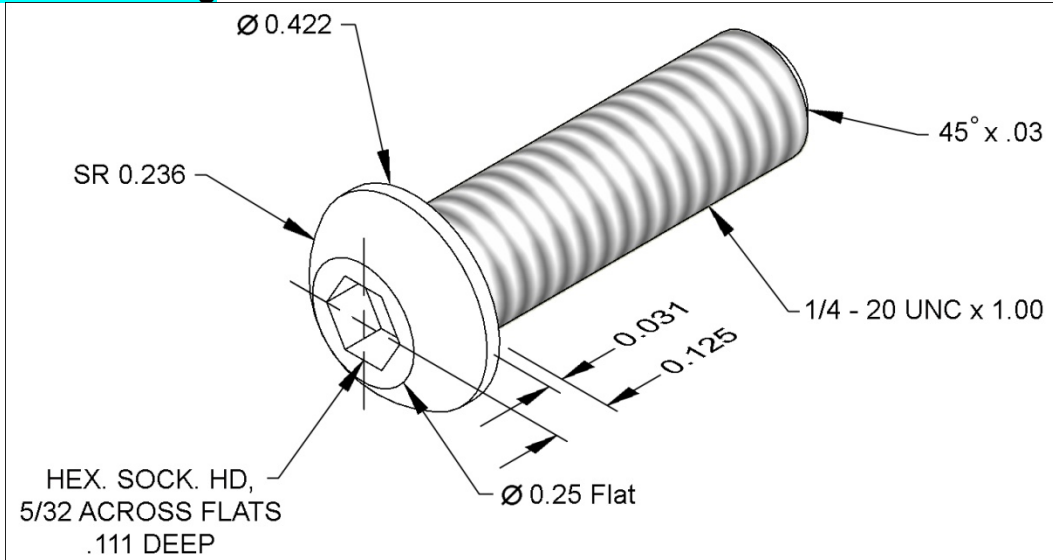
**Part #4: Hitch Peg**



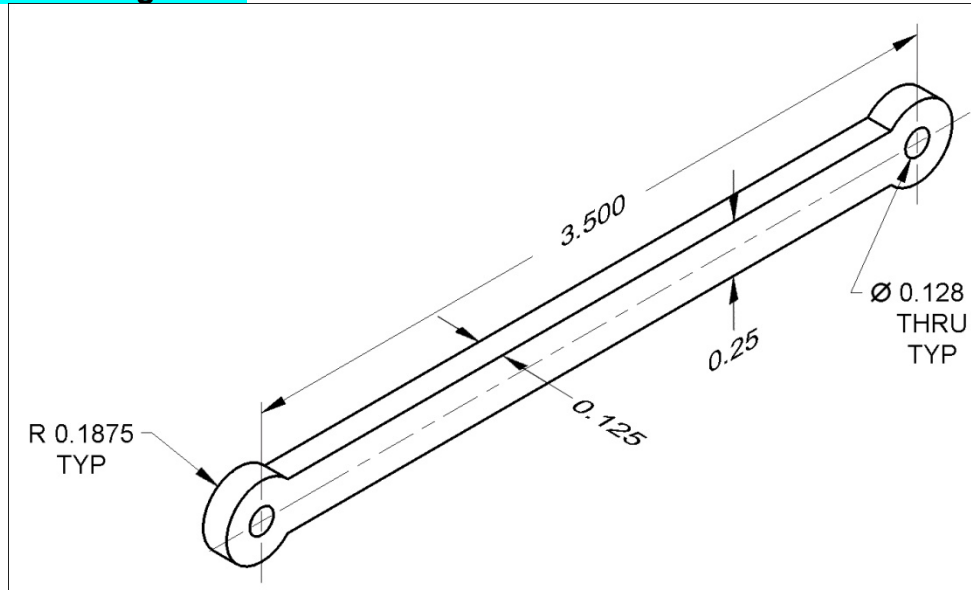
# Part #5: Wheel



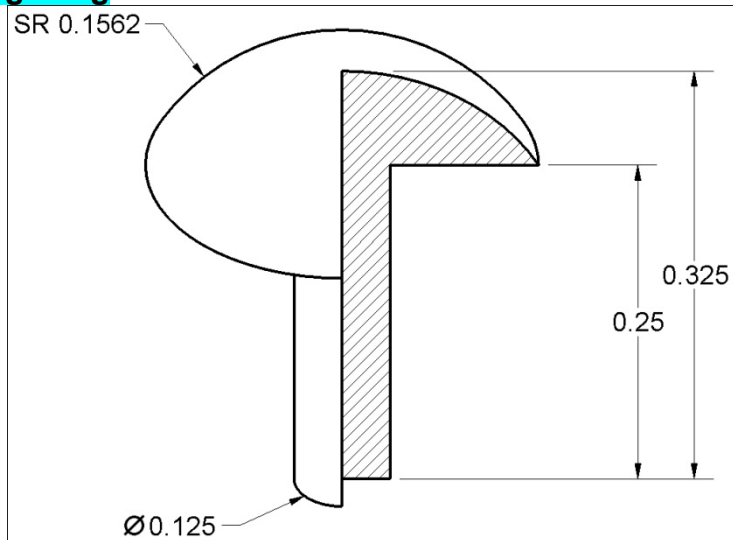
**Part #6: Axle Peg**



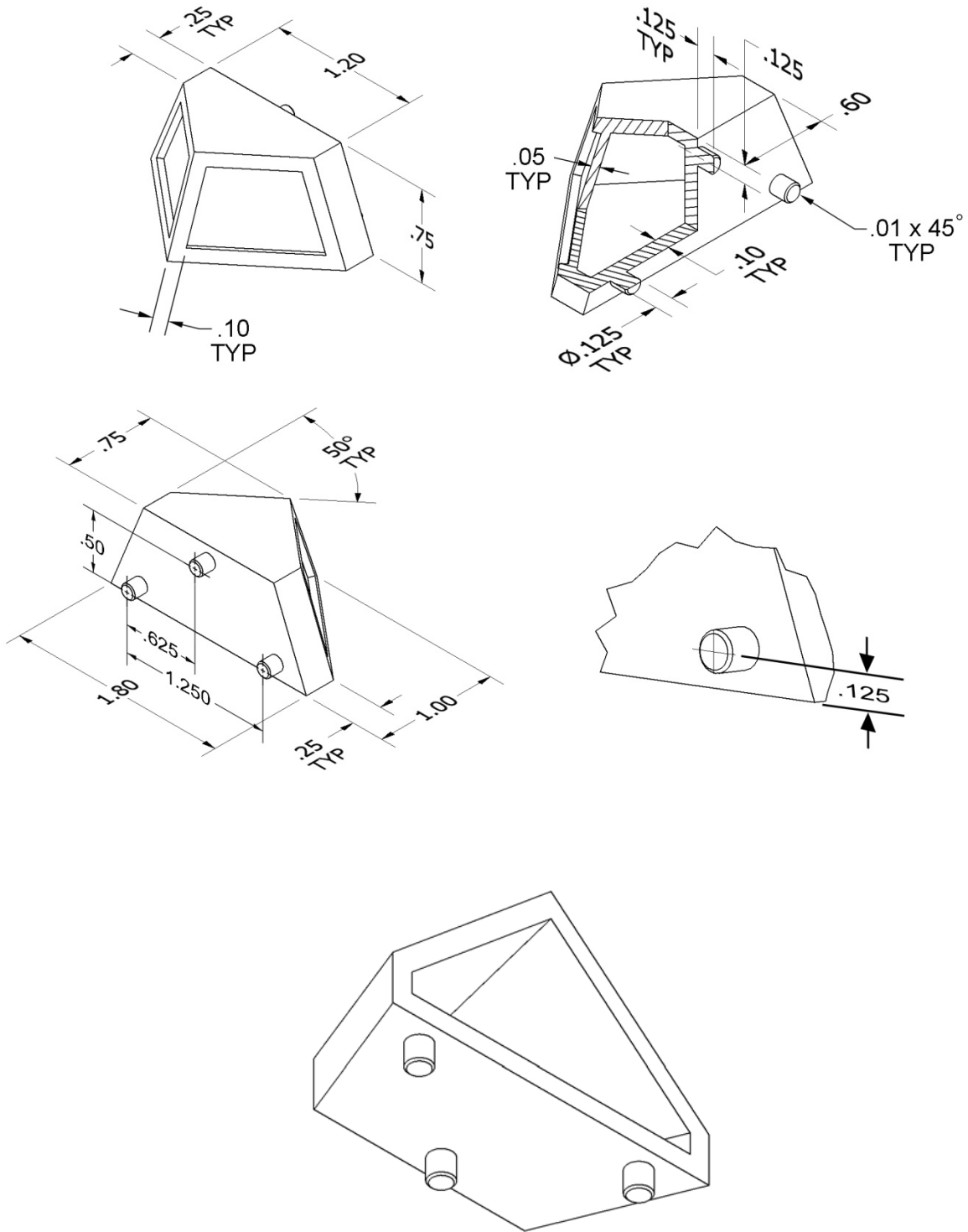
**Part #7: Linkage Arm**



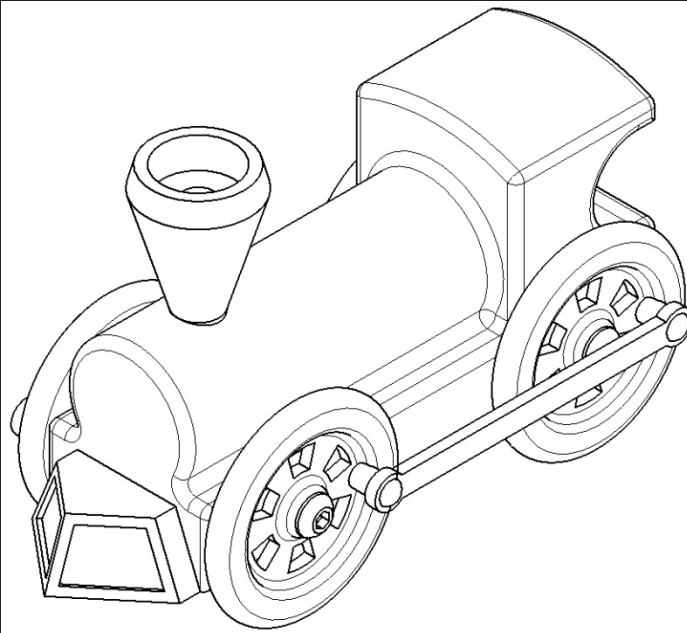
**Part #8: Linkage Peg**



**Part #9: Cow Catcher**



## Assembled Train



## Straight Track

